

TROLLA ATV VOGN 500 KG

Artikel nr.: 13030

DK – montagevejledning



Kære kunde,

Tillykke med dit nye Trola produkt. Vi håber du vil få stor glæde af det.

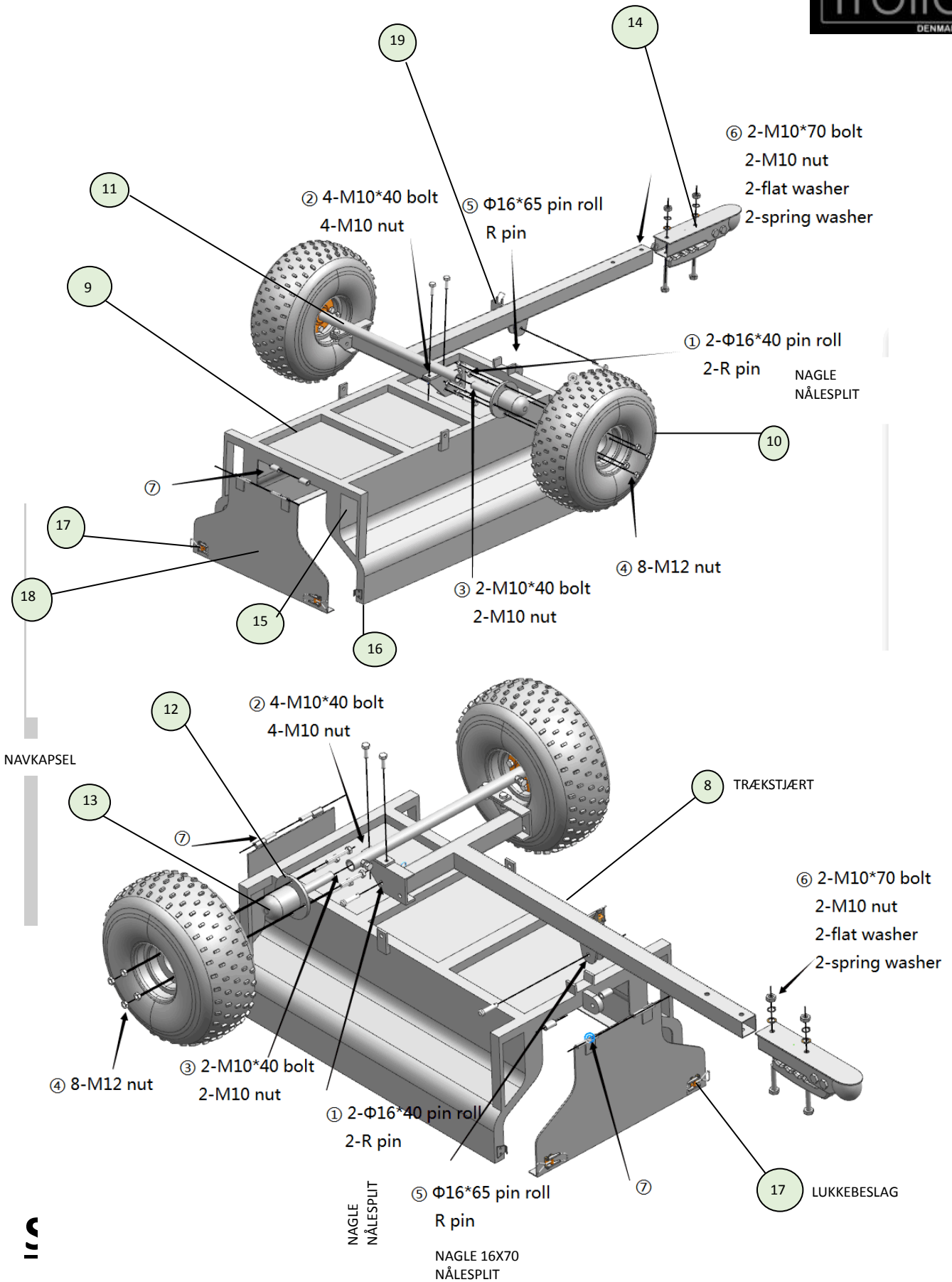
Kassen med dit nye Trola produkt kan indeholde mange små dele, gem derfor al emballage indtil produktet er færdigsamlet. Produktet kan være fastgjort til emballagen vær derfor forsigtig med udpakningen så produktet ikke beskadiges. Læs monterings vejledningen omhyggeligt før produktet samles og tages i brug. Vi anbefaler at styklisten kontrolleres straks ved åbning af emballagen.

Stykliste

Nr.	Betegnelse	Antal
1	Ø16x40 TIP NAGLE + NÅLESPLIT	2
2	M10X40 BOLT + M10 MØTRIK	4
3	M10X40 BOLT	2
4	M12 MØTRIK	8
5	Ø16X65 LÅSE NAGLE + NÅLESPLIT	1
6	M10 MØTRIK + M10X70 BOLT + SKIVE	2
7	FOR- OG BAGLÅGE	2
8	TRÆKSTJÆRT	1
9	VOGNKASSE	1
10	HJUL 22X11-8	2
11	VOGNAKSEL	1
12	HJULNAV	2
13	NAVKAPSEL (EKSTRA)	1
14	KUGLEKOBLING	1
15	REFLEX	2
16	PLASTPROPPER	4
17	LUKKEBESLAG	4
18	HÅNDTAG + M5X20 BOLT + M5 MØTRIK	2
19	LUKKEBESLAG FOR TIP	1

DENMARK 

Stregtegning over art 13030



Sikkerhedsforeskrifter:

Læs denne vejledning grundigt, så du forstår og kan følge alle sikkerhedsforeskrifter og betjeningsfunktioner fuldstændigt, før du går i gang med at samle og bruge produktet.

Børn må **ikke** bruge produktet.

Hvis du føler dig, syg, træt eller har indtaget alkohol eller medicin, må du ikke arbejde med produktet.

Begynd aldrig at anvende maskinen før arbejdsområdet er ryddet.

Alle reparationer, som ikke er beskrevet i denne betjeningsvejledning, må kun udføres af specialuddannet personale på et autoriseret serviceværksted.

Brug kun originale reservedele ved reparation.

Produktet må kun lånes ud til personer, som er fortrolige med betjening af maskinen. Betjeningsvejledningen skal under alle omstændigheder medfølge.

Start altid i lavt gear og øg kun farten, hvis forholdene tillader det.

Vær opmærksom på, at det trækkende køretøjs bremsevne og stabilitet påvirkes, når produktet monteres.

Vær særlig opmærksom, når du bakker. Kør lige op og ned, aldrig på tværs for at undgå at tippe. Kør ikke for tæt på kanter eller grøfter. Må **ikke** anvendes på skrående terræn.

Må kun anvendes efterspændt en plænetraktor eller ATV. Der må **IKKE** tilkobles ekstra maskiner før eller efter produktet.

Produktet må **ikke** anvendes på offentlig vej.

Produktet må **ikke** bruges udenfor efter solnedgang eller hvis der ikke er god sigtbarhed/ dagslys. Må **ikke** anvendes udenfor ved vejrforhold der kan påvirke produktet/ brugen, såsom blæst og lyn.

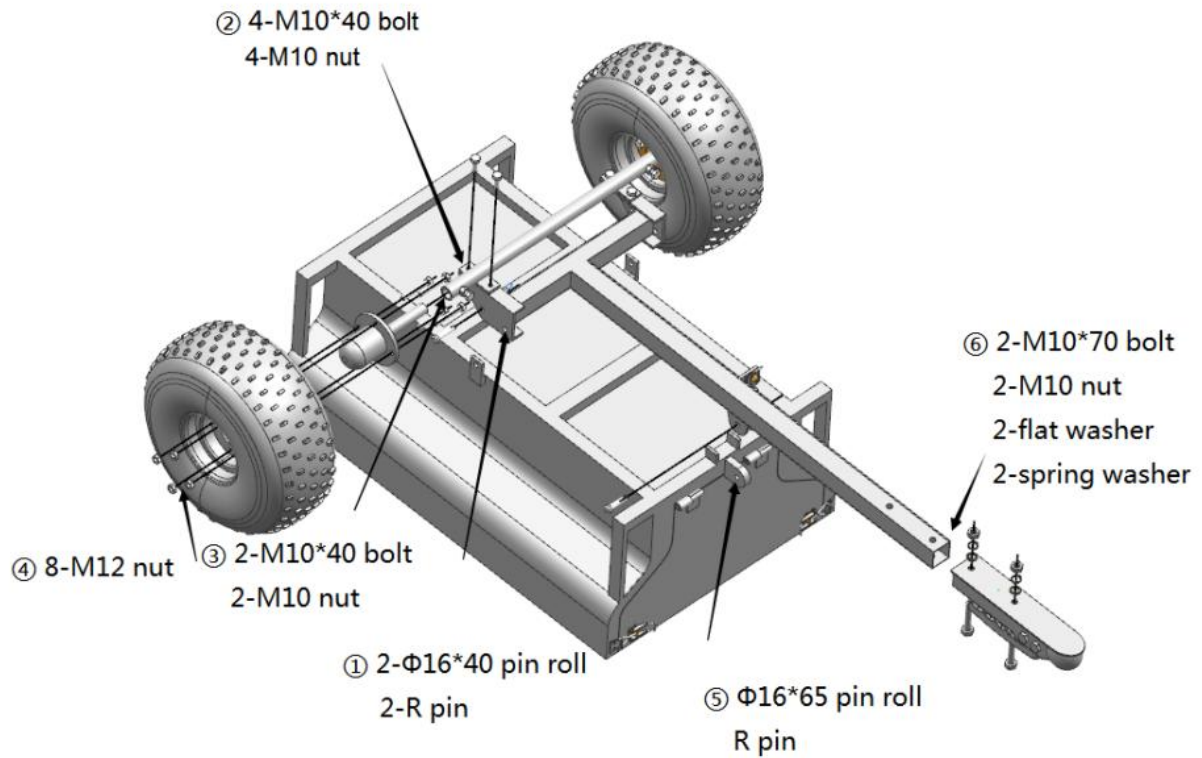
Husk at efterspænde alle bolte og møtrikker før brug.

Opbevar altid produktet på et tørt sted og påfør alle metaldele lidt olie, når maskinen ikke bruges.

Vedligeholdelse:

- 1: Husk inden vedligeholdelse at frakoble produktet det trækkende køretøj.
- 2: Produktet skal opbevares tørt på plant og hårdt underlag for at undgå tipning.
- 3: Produktet's spindler og bolte skal smøres løbende med olie.
- 4: Hjulene skal hver gang tjekkes for dæktryk og spindlerne skal tjekkes for funktionen.
- 5: Hvis der skal bruges reservedele kan du via din forhandler bestille dele, se din nærmeste forhandler på www.trolla.dk

Samleinstruktion



DENMARK 

TROLLA – ATV WAGON 500 kg

Item nr.: 13030

ENG – Assembly instructions



Dear customer,

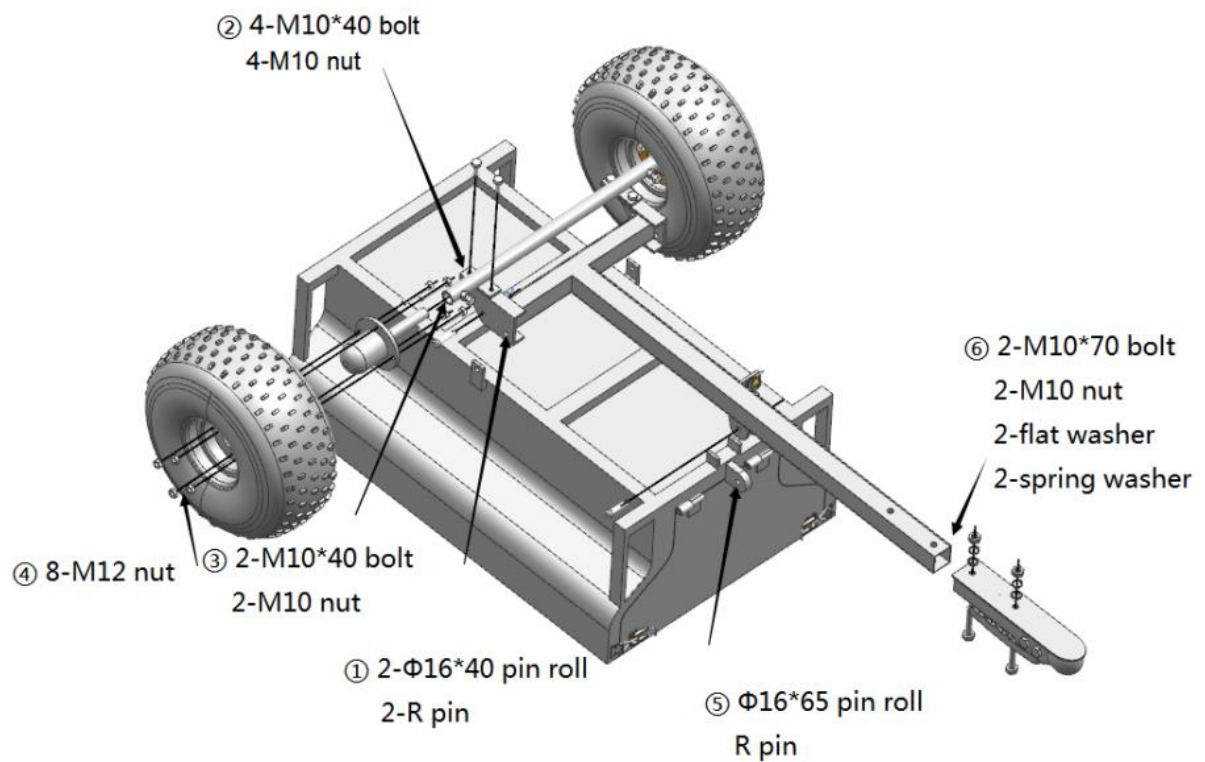
Congratulations with your new Trola product. We hope to fulfill your needs with this ATV Wagon. Please be aware that the packaging your new Trola product might contain a lot of small parts, therefore: do not throw any packaging out before the product is completely assembled. Moreover, the product might be fixed to the packaging, so be careful while unpacking to avoid damages to the product. Please read the assembly instructions carefully before the product is assembled and before use. We suggest that the following bill of materials (BOM) is checked immediately after

unpacking the product to assure that every spare part is there:

BOM:

Nr.	Description	Amount
1	Left side carrying frame	1
2	Right side carrying frame	1
3	Crossbar	1
4	DIN 931-1 - M16 x 55 bolt	24
5	DIN 125 - A 17 washer	24
6	DIN 439 - M16 nuts	24
7	Wheel arm	2
8	Left wheel pole	1
9	Right wheel pole	1
10	Tow-bar coupling	1
11	Planer in the back	1
12	Upfront planer	1
13	Planer in the middle	1
14	Wheel \varnothing 400 mm	2
15	L-arm for planer upfront	1
16	L-arm for planer in the middle	1
17	L-arm for planer in the back	1
18	Big spindle	1
19	Small spindle	2
20	Little planer	3
21	Extra-weight box	1

Drawing item nr. 13030:



Assembly Instructions

Safety:

For safety reasons, please read the assemble instructions thoroughly before assembling and before use of this product.

Kids are **NOT** allowed to use this product and kids should not be near when the product is used.

If you feel tired, sick, or if your blood alcohol concentration (BAC) is above 0, you are not allowed to make use of this product. Likewise if you are under medical treatment, caused by illness, tiredness or alike you are not allowed to use the product.

Never start using the product before the road is cleared.

Any reparation, which is not mentioned in this assembly instruction, should only be executed by professional personnel from an authorized repair shop.

Only original spare parts should be used with regard to repair.

If the product is lend out to third party the assembly instructions have to follow.

When starting the ATV start at low speed and only increase the pace if the terrain allows it.

Be aware that your ATV's dragging ability and stability is affected, when the Road Planer is in use.

Be extra careful when driving in reverse. Also, go straight up and down with regard to slightly hilly ground to prevent tilting. Do not use the product too close to any objects nor ditches. This product **cannot be used in hilly terrain.**

This product should only be used and assembled on a ride-on mower or an ATV. While using the products **other products cannot be assembled at the same time.**

The product is not allowed to be used on public roads. This product should only be used outdoor when the sun is up, however, **NOT** in case of bad visibility.

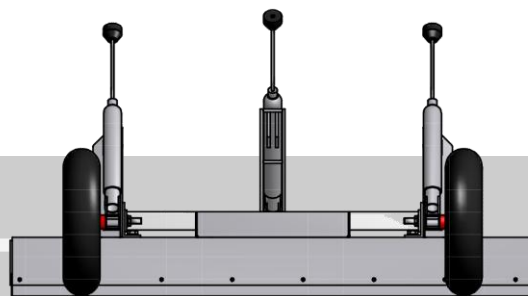
Moreover, the product should not be used in case of bad weather, which could affect the product, or the use, like storm and thunderbolt.

Remember to tighten all nuts and bolts before use.

Always keep the product on a dry spot, when the product is not used and remember to oil once in a while when the product is not used.

How to use:

1. Planer is towed behind the ATV using the towbar coupling (50 mm) in the front.
REMEMBER to assure that the towbar coupling is locked correctly before starting!



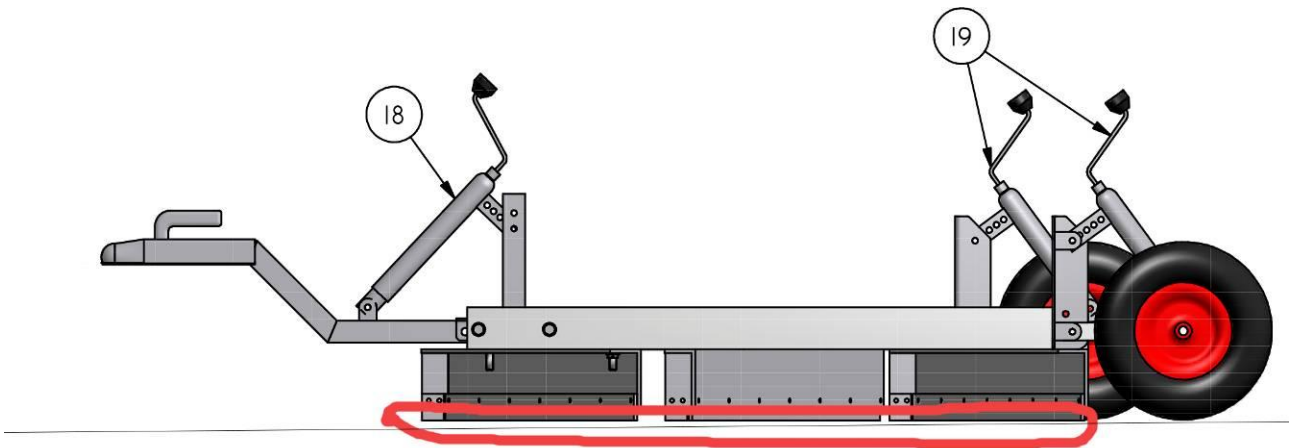
2. Lifting/lowering: When transporting the ATV Road Planer the spindles need to be lifted, so only the wheels of the ATV Road Planer are touching the ground.

When the ATV Road Planer needs to be used the spindles are lowered again, so the ATV Road Planer is again touching the ground. Depending on the terrain the spindles are adjusted to the wished need of planing. It is a good idea to remove smaller layers over several rounds and NOT REMOVE too much at once.

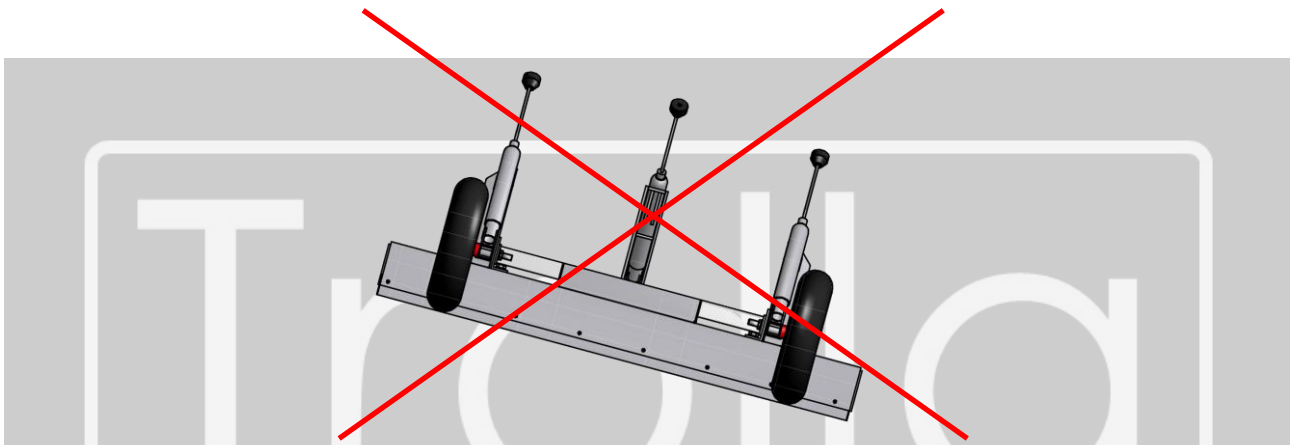
IMPORTANT: THE AREA HAS TO BE CLEARED AWAY OF PEOPLE, ANIMALS AND OBJECTS!

On the left side of the ATV Road Planer there will be a line of surplus of materials. Keep that in mind when using the product to get the best result efficiently.

ATTENTION: When adjusting the spindles be assured not to have your feet, or any other limbs under the ATV Road Planer!



3: The use of the product should only take place on even terrain!



4. More intense compressing effect of the planer:

It is possible to add up to 200 kg/440lb extra on the ATV Road Planer to increase the pressure, but only if the towing vehicle is allowing extra weight and vibrations. Please contact the distributor of the vehicle.

The additional weight has to be placed ONLY within the extra-weight-box(21) and has to be fixed.

Maintenance:

- 1: Remember before maintenance to detach the product from the towing vehicle.
- 2: The product has to be kept dry and on stable ground to avoid tilting, when it is not used.
- 3: The spindles and bolts need to be oiled regularly.
- 4: The wheel pressure needs to be checked every time before use and the functionality of the spindles too.
- 5: In need of spare parts you can find our partners on www.trolla.dk and find one near you.

The product is designed of F&H Com A/S – Danmark – www.fhcom.dk