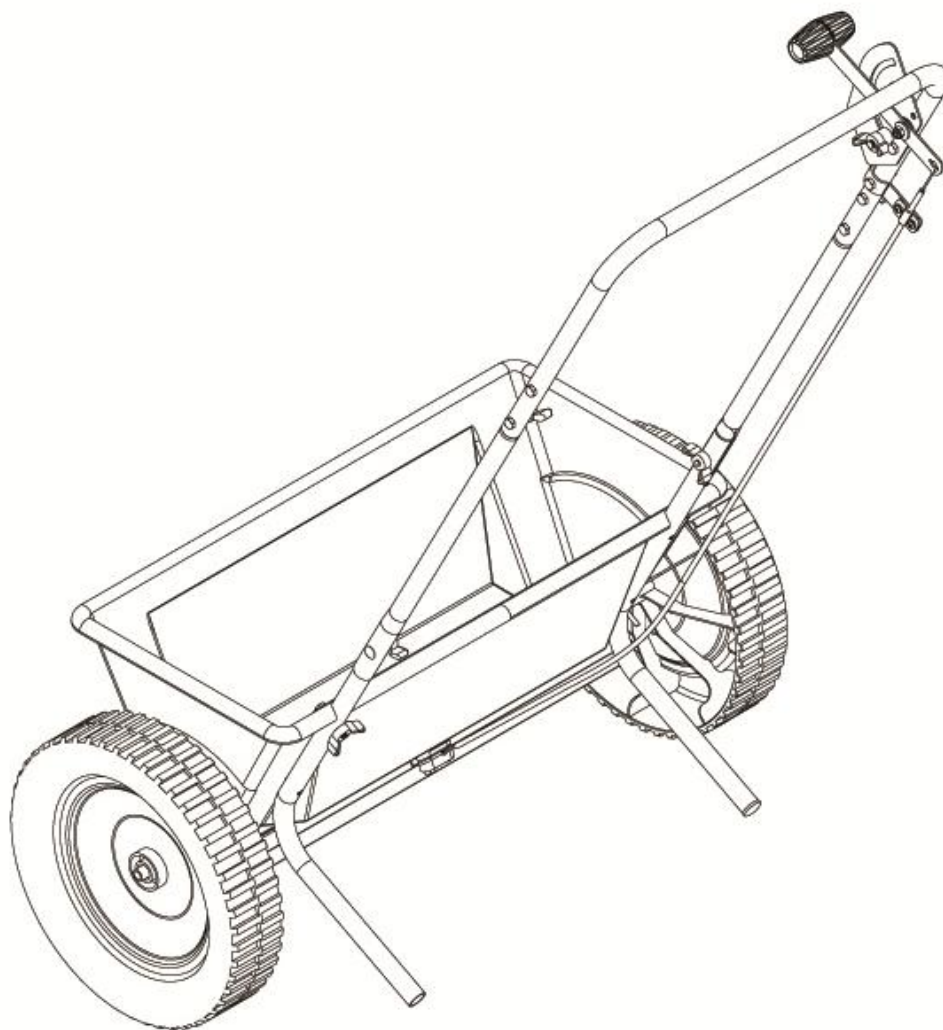


60LB WALK BEHIND DROP SPREADER



Instruction & Assembly

Table of Contents



General Warnings and Rules	3
Hazard Signal Word Definitions.....	4
Controls and Features Identification.....	5
Component Parts	6
Assembly Instructions	7, 8
Operation Instructions	9, 10
Spreading Instructions.....	11
Maintenance and Storage	12
Specification.....	12
Parts Drawing & Parts List	13,14



GENERAL WARNINGS

READ and UNDERSTAND this manual completely before using Drop Spreader.

Operator must read and understand all safety and warning information, operating instructions, maintenance and storage instructions before operating this equipment. Failure to properly operate and maintain the drop spreader could result in serious injury to the operator or bystanders.

Operation Warnings

- Do not at any time carry passengers sit or stand on the spreader.
- Do not allow children to play on, stand upon or climb in the spreader.
- Always inspect the spreader before using to assure it is in good working condition.
- Replace or repair damaged or worn parts immediately.
- Always check and tighten hardware and assembled parts before operation.
- Do not exceed equipment maximum load capacity of 60lb.
- Avoid large holes and ditches when operating the spreader.
- Always push the spreader do not pull the spreader.
- Be careful when operating on steep grades (hill) the spreader may tip over.
- Do not push close to creeks, ditches and public highways.
- Do not use spreader on windy days when spreading grass seed or herbicides.
- Always use caution when loading and unloading spreader.
- Never tow the spreader with a motorized vehicle.

Crush and Cut Hazards

- Always keep hands and feet clear from moving parts while operating the equipment.
- Always clear and keep work area clean and free from debris when operating.
- Always wear safety gear, eye protection, gloves and work boots when operating the spreader.

WARNING

The warnings, cautions, and instructions outlined in this instruction manual cannot cover all possible conditions or situations that may occur. It must be understood by the operator that common sense and caution are factors which cannot be built into this product and must be supplied by the operator.

PROP 65 WARNING

This product contains chemicals known to the state of California to cause cancer, birth defects, or other reproductive harm.

Assembly Is Required

This product requires assembly before use. See "Assembly" section for instructions. Because of the weight and/or size of the drop spreader, it is recommended that another adult be present to assist with the assembly. **INSPECT ALL COMPONENTS** closely upon receipt to make sure no components are missing or damaged.

Hazard Signal Word Definitions

	<p>This is the safety alert symbol. It is used to alert you to potential personal injury hazards. Obey all safety messages that follow this symbol to avoid possible injury or death.</p>
	<p>DANGER indicates an imminently hazardous situation which, if not avoided, will result in death or serious injury.</p>
	<p>WARNING indicates a potentially hazardous situation which, if not avoided, could result in death or serious injury.</p>
	<p>CAUTION indicates a potentially hazardous situation which, if not avoided, may result in minor or moderate injury.</p>
	<p>CAUTION used without the safety alert symbol indicates a potentially hazardous situation which, if not avoided, may result in property damage.</p>

ABOUT YOUR DROP SPREADER

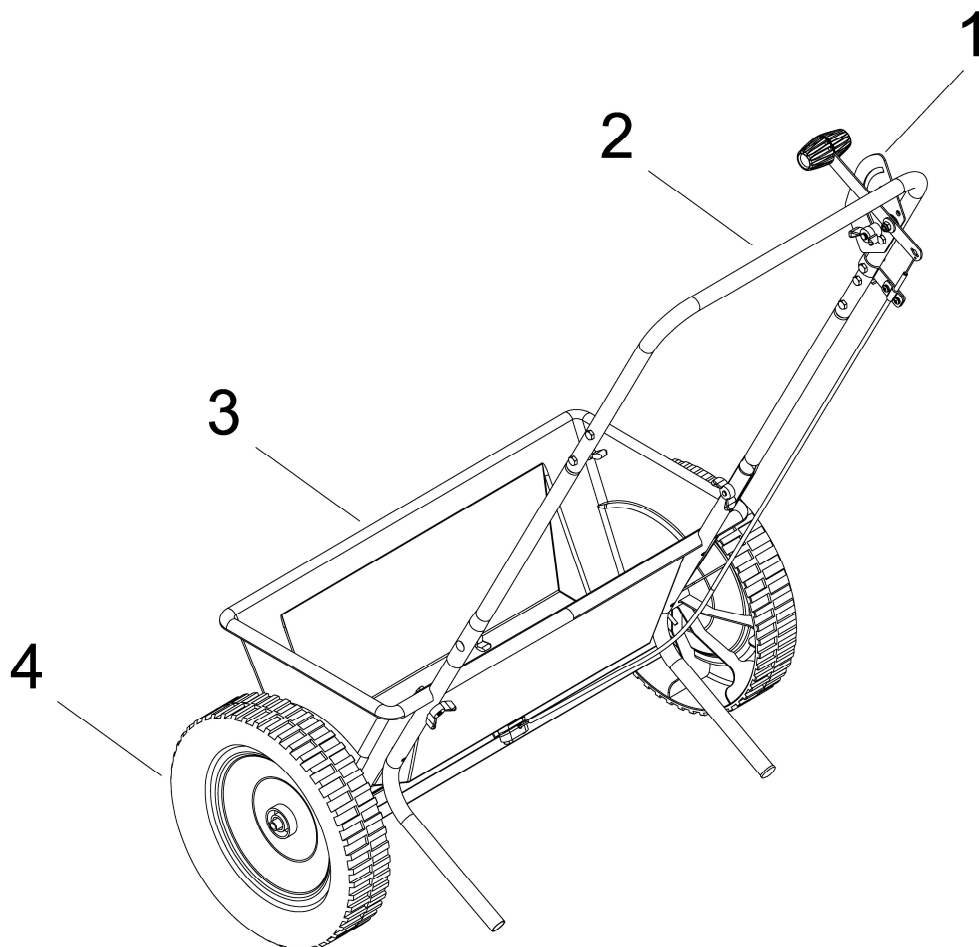
This drop spreader is designed to spread a wide range of materials (Pesticides, Pelletized Lime, Fertilizer, and Grass Seed). Materials such as Powders, Manure, Top Soil, Gravel, and Mulch have the wrong physical characteristics and should not be used with this spreader. It is an easy and convenient way to feed or fertilize grass that is adjacent to vegetable gardens, sidewalks, or plant beds. Drop spreaders are great at keeping material waste to a minimum with even coverage. Never exceed the rated load capacity of 60lbs when operating the spreader.

Your drop spreader needs to be pushed at three miles per hour, which is a brisk walking speed. Slower or faster speeds will change the spread coverage. Wet spreading material will also change the flow rate. Clean your spreader thoroughly after each use. Wash between the moving parts at bottom of the hopper.

Technical specifications on the drop spreader are provided in the “Specifications” section of this manual.

Controls and Features Identification

Read this owner's manual before operating the equipment. Familiarize yourself with the location and function of the controls and features. Save this manual for future reference.



- 1) **Flow Control Handle**– Controls the flow of material being spread.
- 2) **U-Handle** – Maneuvers the drop spreader.
- 3) **Hopper** – Do not exceed rated load capacity 60lb.
- 4) **Non Flat Tires / Wheels** – Heavy duty plastic.



CAUTION

Read and follow all instructions for assembly and operation. Failure to properly assemble this equipment could result in serious injury to the user or bystanders, or cause equipment damage.





DROP SPREADER COMPONENT PARTS AND ASSEMBLY

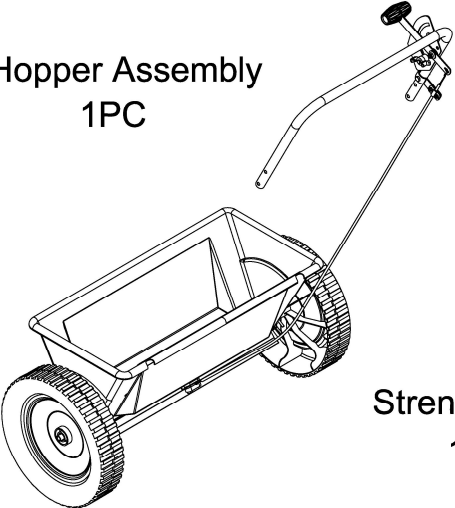
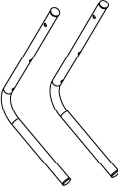
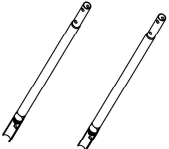
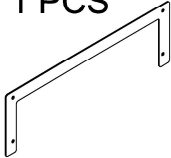
Take all parts out of the shipping crate and inspect components to ensure there are no missing pieces before starting to assemble the drop spreader follow steps 1 through 3.

TOOLS REQUIRED

- 10mm Wrench
- Pliers

Component Parts

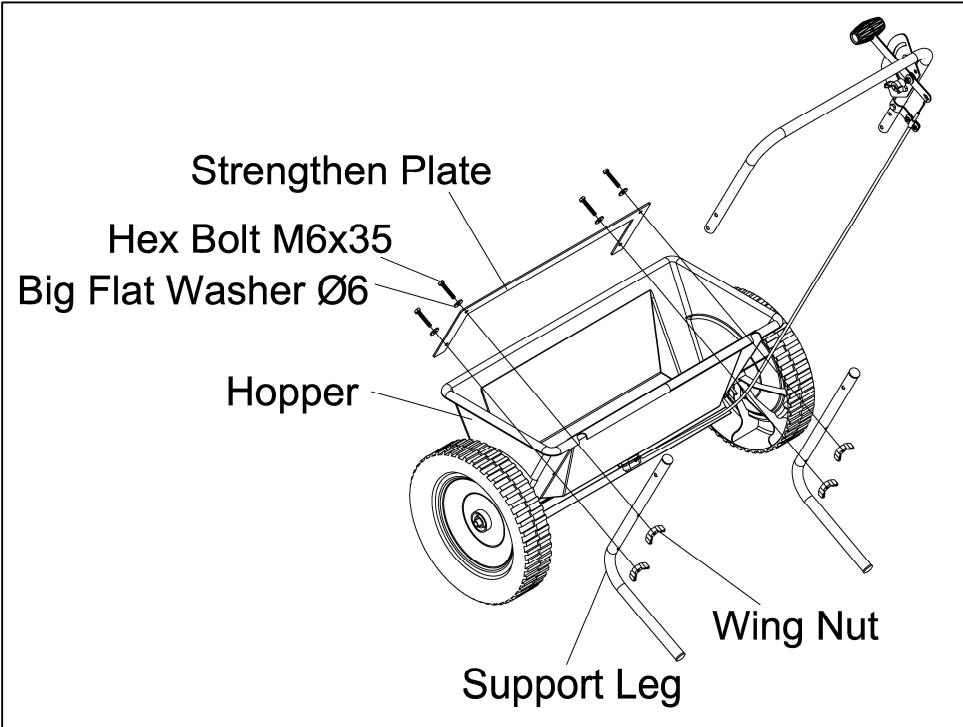
Hex Bolt M6x35 4 PCS	Square Neck Bolt M6X35 2 PCS
	
Hex Bolt M6x30 4 PCS	
Wing Nut M6 10 PCS	Big Flat Washer Ø6 4 PCS
	

<p>Hopper Assembly 1PC</p> 	<p>Support Leg 2 PCS</p> 	<p>Connect Pole 2 PCS</p> 
<p>Strengthen Plate 1 PCS</p> 		

Assembly Instructions

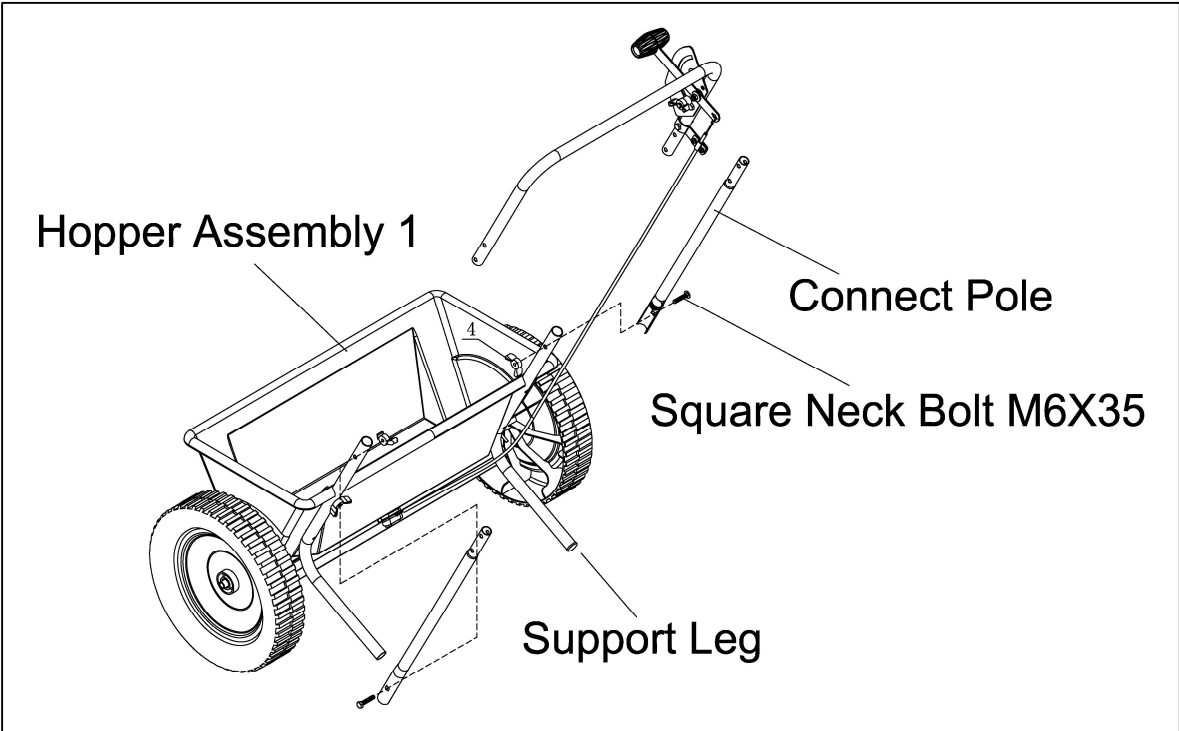
STEP 1: Attach Strengthen Plate and Support Leg to Hopper Assembly

1. Connect the Strengthen Plate and Support Leg to the Hopper Use Hex Bolt M6x35, Big Flat Washer Ø6 and Wing Nut. Then tighten.



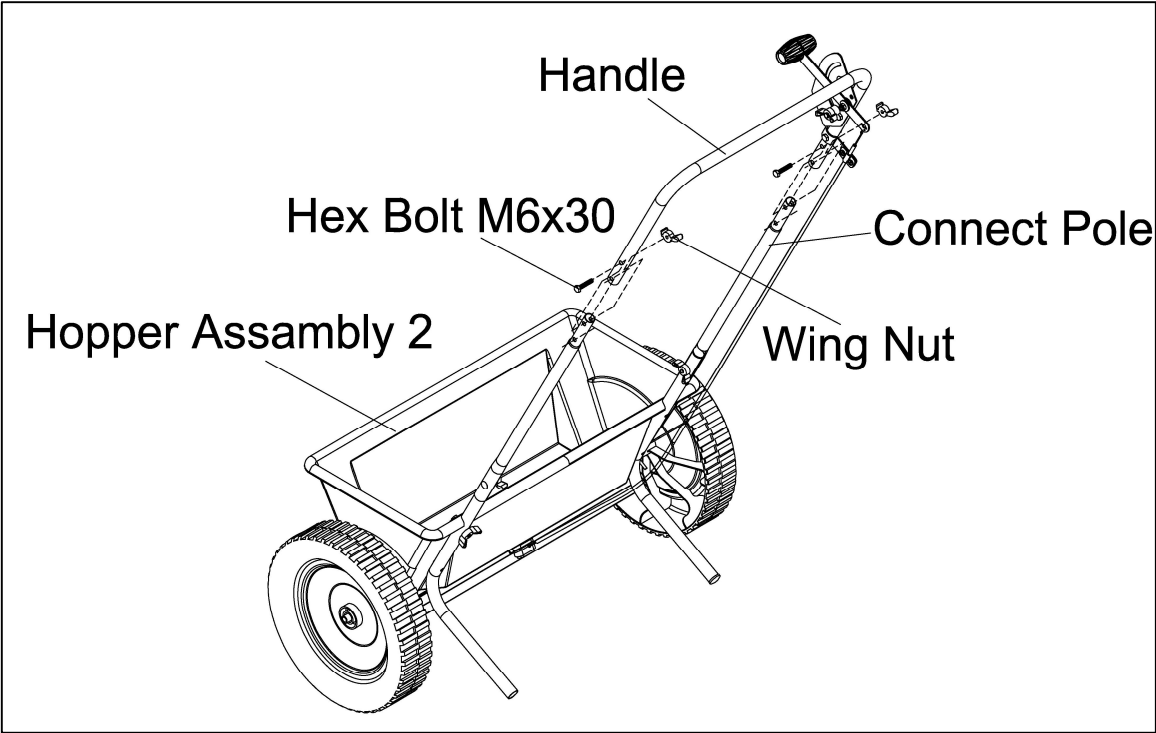
Step 2: Attach Connect Poles to Support Legs

1. Attach the Connect poles to Support Legs use Square Neck Bolt M6x35 and Wing Nut. Then tighten.



STEP 3: Attach U-Handle to Connect Poles

1. Attach the U-handle to the connect poles using two Hex Bolt M6x30 and Wing Nut. Then tighten.



Operation Instructions

WARNING

Before using the drop spreader, review the instructions below and safety information before operating. Failure to follow these instructions may result in property damage or injury to the operator or bystanders.

USING YOUR SPREADER

1. Inspect your spreader before each use. Make sure the wheels turn easily when the spreader is pushed. The hopper should be clean and free from cracks.
2. Spreader is designed to spread a range of materials (Pesticides, Pelletized Lime, Fertilizer, and Grass Seed). Materials such as Powder, Manure, Top Soil, Gravel, and Mulch have the wrong physical characteristics and should not be used with your spreader.
3. Do not use spreader on windy days when spreading grass seed or herbicides.
4. Determine approximate square footage of the area to be covered and estimate amount of material required. Please refer to fertilizer manufacturer's recommendation. Break up any lumpy fertilizer as you fill the hopper.
5. Before filling the hopper, make sure the flow control handle is in the "0" position and the flow control is closed.
6. Every time you are ready to stop or turn back, close the flow control to stop dispersing the material and continue one more stride. This reduces waste and avoids damaging the lawn with oversaturated product coverage.
7. Follow fertilizer manufacturer's recommended coverage rate for each product.
8. To maintain the same coverage when walking at a different speed, adjust the flow rate. Reduce the flow setting for slower speeds and increase the flow setting for higher speeds.
9. Keep spreader horizontal when operating. Tilting the spreader will result in uneven coverage.
10. Always start walking prior to opening the flow control rate.
11. Always close the flow control before turning or stopping the spreader.
12. If spreading material is accidentally deposited too heavily in a small area, soak the area thoroughly with a garden hose or sprinkler to prevent burning of the lawn.
13. Apply two header strips at each end of area to be treated and then proceed lengthwise between the header strips.
14. To insure consistent coverage, make sure each drop pattern slightly overlaps the previous drop pattern.
15. When dropping material, make sure the material does not hit evergreen trees, flowers or shrubs.
16. Do not over apply spreading material. Follow the recommended coverage rate for each product. Over application will lead to lawn damage and contamination.

Operation Instructions

ADJUSTING FLOW CONTROL

1. For proper material flow settings refer to the spreading instructions section.
2. Move the bolt on flow control assembly to the proper setting and tighten.
3. Pushing the spreader forward at a brisk walking speed to ensure consistent coverage of material.
4. To stop or turning, move the flow control handle to the closed position before stopping or turning.



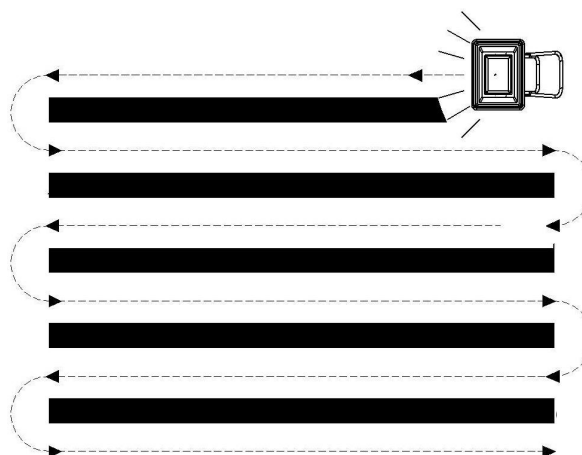
CAUTION

The spreader settings are guidelines only. The spreader should be calibrated prior to application to ensure accuracy.

The spreader settings are based on a walking speed of 3 MPH. Walking faster or slower will alter the spread application rate. Exact rates depend upon the spreader itself and the accuracy of the person operating it.

CONSISTENT COVERAGE

To insure consistent coverage, make sure each drop pattern slightly overlaps the previous pattern as shown in the figure below.



WARNING

Do not over apply material. Follow the recommended coverage rate for each product. Over application will lead to damage and contamination. If spreading material accidentally hits or deposits to heavily, soak the area thoroughly with a garden hose or sprinkler to prevent burning.

Spreading Instructions

CALCULATING AMOUNT OF MATERIAL NEEDED

To calculate the amount of fertilizer you will need to cover your lawn, divide the coverage amount listed on the label by the weight of the fertilizer bag. For example a 10LB. bag of fertilizer with coverage of 10,000 square feet will distribute 1LB. of fertilizer every 1,000 square feet at full rate or 1/2LB. of fertilizer every 1,000 square feet at half rate. For pre-calculated rates see **Chart A** (Example: 25LB. bag with 15,000 sq. ft. coverage = 1.7LB./1,000 sq. ft.). Use **Chart B** to find the closest spreader setting (Example: 1.7LB./1000 sq. ft. = Spreader Setting of 5).

Chart A - Square Foot Coverage per Bag*

Weight of Bag (LBS.)	LBS/1,000 SQ FT		
	5,000 SQ FT COVERAGE	10,000 SQ FT COVERAGE	15,000 SQ FT COVERAGE
5	1.0 LB.	0.5 LB.	0.3 LB.
10	2.0 LB.	1.0 LB.	0.7 LB.
15	3.0 LB.	1.5 LB.	1.0 LB.
20	4.0 LB.	2.0 LB.	1.3 LB.
25	5.0 LB.	2.5 LB.	1.7 LB.
30	6.0 LB.	3.0 LB.	2.0 LB.
35	7.0 LB.	3.5 LB.	2.3 LB.
40	8.0 LB.	4.0 LB.	2.7 LB.
45	9.0 LB.	4.5 LB.	3.0 LB.
50	10.0 LB.	5.0 LB.	3.3 LB.

*These are only estimates actual amounts may vary.

Chart B – Drop Spreader Settings*

MULTI-USAGES	LBS/1,000 SQ FT	SPREADER SETTING	
	1	10	<div style="text-align: center; font-weight: bold; font-size: 1.2em;"> CAUTION </div> <p style="text-align: center; font-weight: bold; font-size: 0.9em;"> <i>The spreader settings are guidelines only. The spreader should be calibrated prior to application to ensure accuracy.</i> </p> <p style="text-align: center; font-weight: bold; font-size: 0.9em;"> <i>The spreader settings are based on a walking speed of 3 MPH. Walking faster or slower will alter the spread application rate. Exact rates depend upon the spreader itself and the accuracy of the person operating it.</i> </p>
	2	12	
	3	14	
FERTILIZER	4	15	
GRASS SEEDS	5	17	
	6	18	
PESTICIDES	7	20	
	8	21	
	9	23	
	10	25	

*These are only estimates actual spreader settings may vary depending on material.

Maintenance and Storage

 **WARNING**

Improper maintenance and storage of the drop spreader may void your warranty.

MAINTENANCE

- After each use clean material out of hopper.
- Rinse/dry inside and outside of the spreader after each use.
- Periodically check all fasteners for tightness.
- Annually clean and lightly lubricate moving parts or as needed.
- Use a glossy enamel spray paint to touch up scratched or worn painted metal surfaces.
- Never exceed load capacity rating of 60lbs it will damage the spreader.

IMPORTANT:

If a part needs replacement, only use parts that meet the manufacturer’s specifications. Replacement parts that do not meet specifications may result in a safety hazard or poor operations.

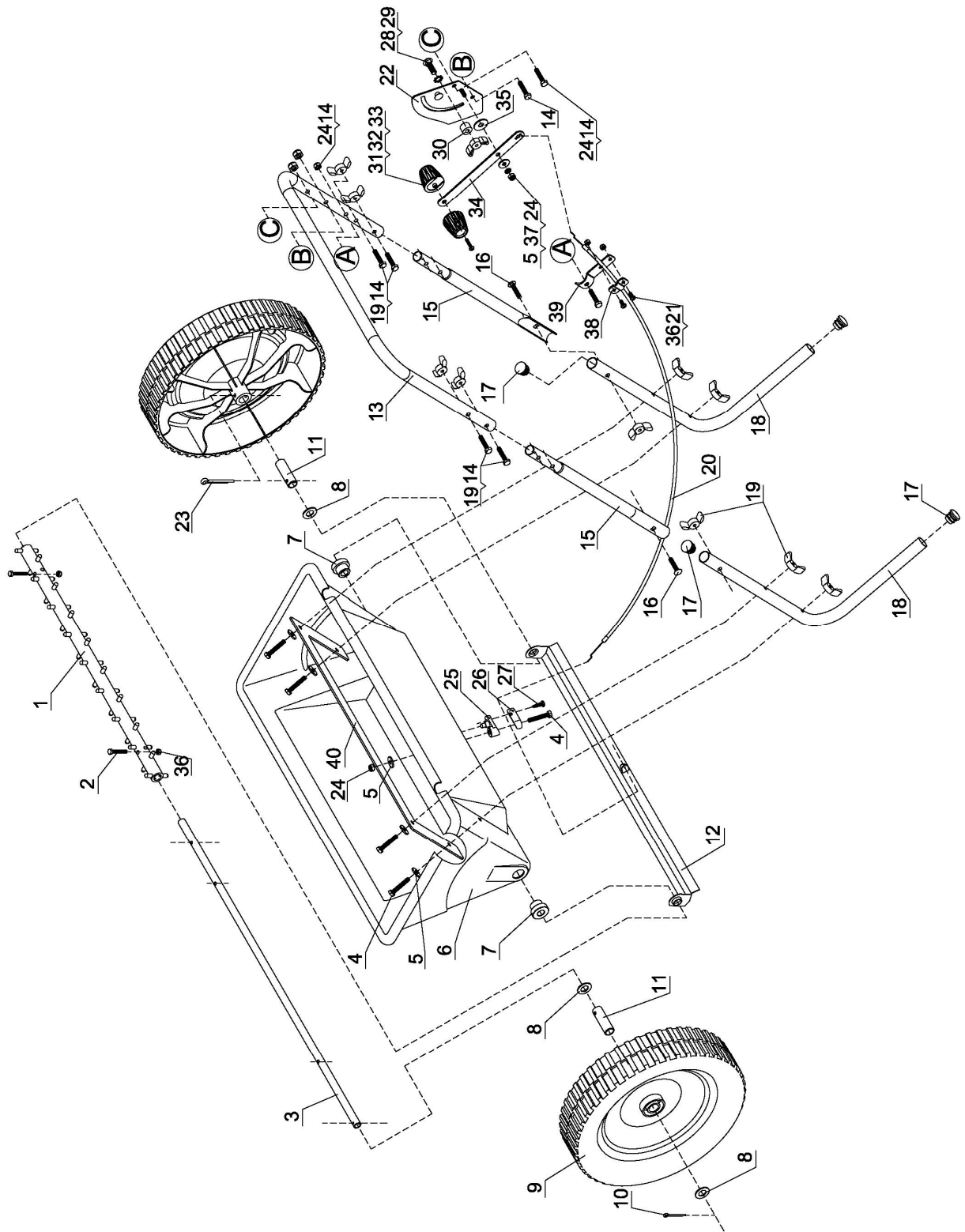
STORAGE

- Never allow material to remain in the hopper for extended periods of time. Return unused product to its original container.
- Before storing make sure the spreader is clean and dry for years of trouble free service.
- Store indoors or protected area during severe weather and winter months.

Specifications

Load Capacity	60lb (27.21kg)
Spreader Type.....	Drop
Hopper Material	Polypropylene
Hopper Dimensions	23.6”x 11.6” x 9” (59.9x11.6x22.9cm)
Wheel Size.....	12” (30.5cm)

Parts Drawing



Parts List

Ref#	Description	Qty	Ref#	Description	Qty
1	Rack Tube Weldment	1	21	Cruciform Slot Screw M5x10	2
2	Hex Bolt M5x30	2	22	Gauge Lever	1
3	Wheel Axle	1	23	Cotter Pin Ø5x45	1
4	Hex Bolt M6x35	5	24	Nylon Lock Nut M6	5
5	Big Washer Ø6	6	25	Wire Lock -1	1
6	Hopper	1	26	Wire Lock -2	1
7	Axle Bushing	2	27	Tapping Screw ST4.8x20	1
8	Flat Washer Ø12	3	28	Square Neck Bolt M6x25	1
9	Poly Wheel	2	29	External Teeth Lock Washer Ø8	1
10	Cotter Pin Ø3x30	1	30	Spacer	1
11	Bushing	2	31	Adjustable Handle A	1
12	Rotate Door Assembly	1	32	Adjustable Handle B	1
13	Handle	1	33	Tapping Screw ST4.2x18	1
14	Hex Bolt M6x30	7	34	Adjustable Handle Pole	1
15	Connect Pole	2	35	Nylon Washer	1
16	Square Neck Bolt M6x35	2	36	Nylon Lock Nut M5	4
17	End Cap	4	37	Lock Washer Ø6	1
18	Support Leg	2	38	Line Clamp Press Plate	1
19	Wing Nut M8	11	39	Line Clamp Bottom Plate	1
20	Adjustable Wire	1	40	Strengthen Plate	1