

TROLLASYSTEM - Yard rake w/spindle

Artikel nr.: 12060

Version: 2014/12

EN – Operating manual



Dear Customer,

Congratulations on your new Trolla product. We hope you will enjoy it.

Checkout with your new Trolla product may contain small parts, therefore save all packaging until the product is fully assembled. The product can be attached to the package be careful when unpacking the product is not damaged. Read the mounting instructions carefully before the product is assembled and put into service. We recommend that the bill be checked immediately on opening the package.



SAFTY Guidelines:

Read this manual carefully so that you understand and can follow all safety precautions and operation functions before you begin to create and use the product.

Children should not use the product.

If you feel sick, tired or have consumed alcohol or drugs, do not use the machine.

Never use the machine until the work is cleared.

All repairs that are not described in this manual may be performed only by specially trained personnel at an authorized service center.

Use only original parts for repairs.

The product should only be lent to people who are familiar with its operation. Operating instructions must always be provided.

Start always in low gear and increase momentum if conditions permit.

Be aware that the towing vehicle's braking performance and stability is affected when the product is installed.

Be particularly careful when reversing. Drive straight up and down, not sideways to avoid tipping. Do not drive too close to the edges or ditches.

Do not use tightend a lawn tractor / ATV on public roads.

Use only tightend a lawn tractor or ATV.

Remember to tighten all bolts and nuts before use.

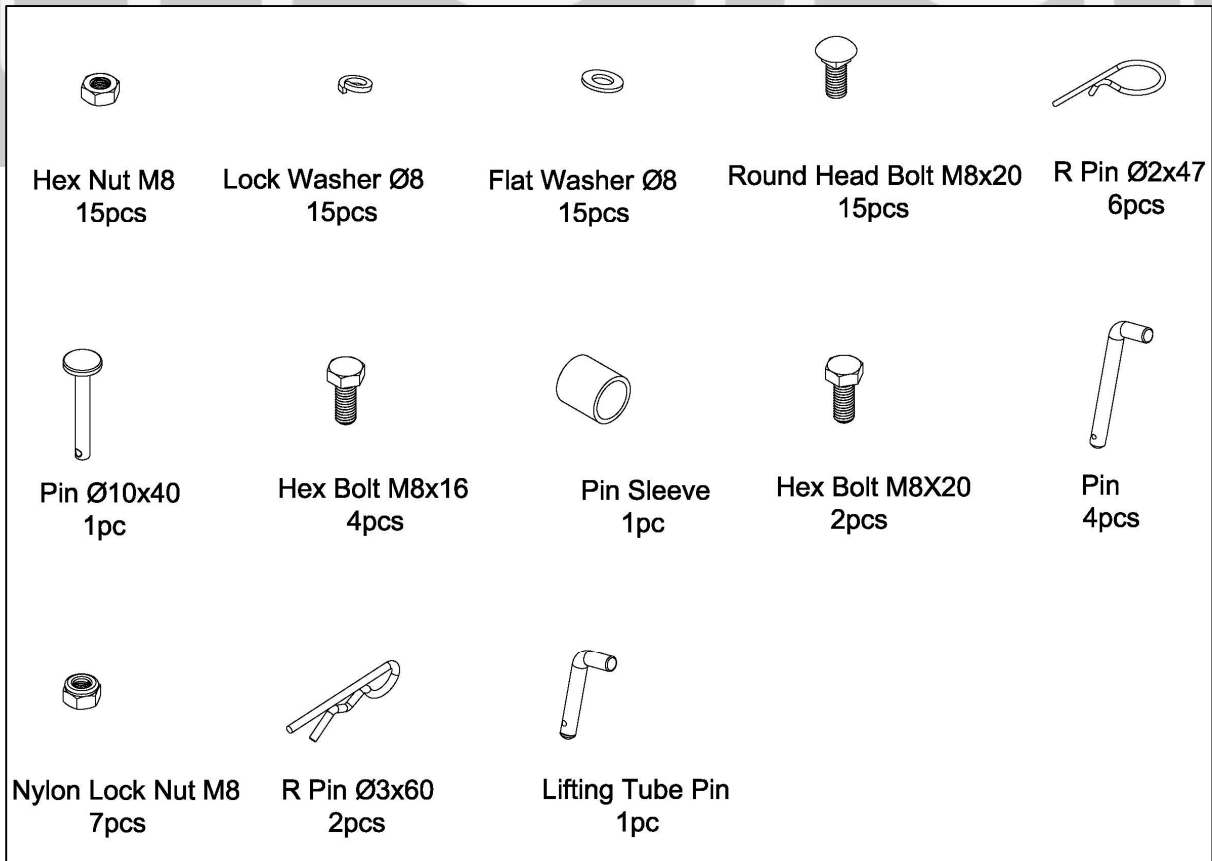
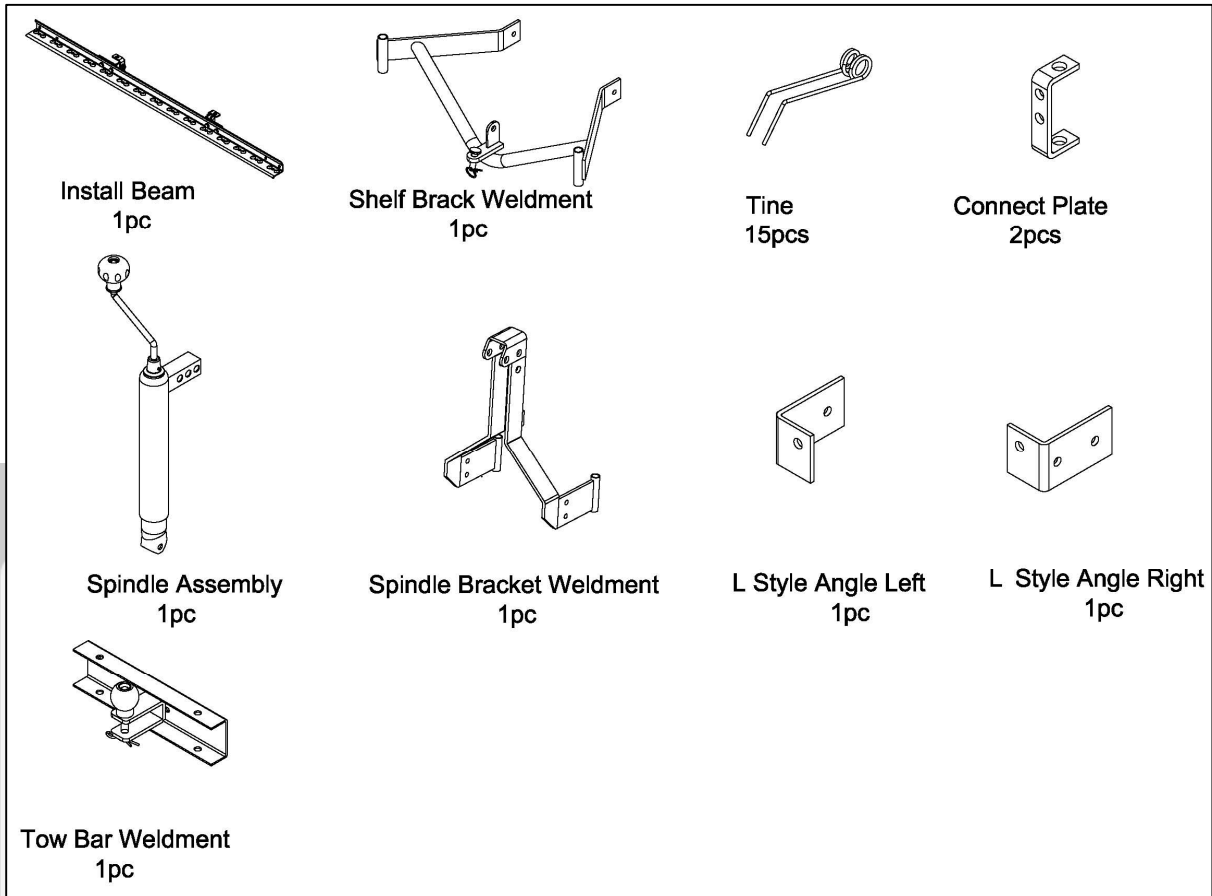
Always store the product in a dry place and apply all metal parts a little oil when the machine is not used.



LOOK FOR THIS SYMBOL TO POINT OUT IMPORTANT SAFETY PRECAUTIONS.
IT MEANS -- ATTENTION! BECOME ALERT!
YOUR SAFETY IS INVOLVED.

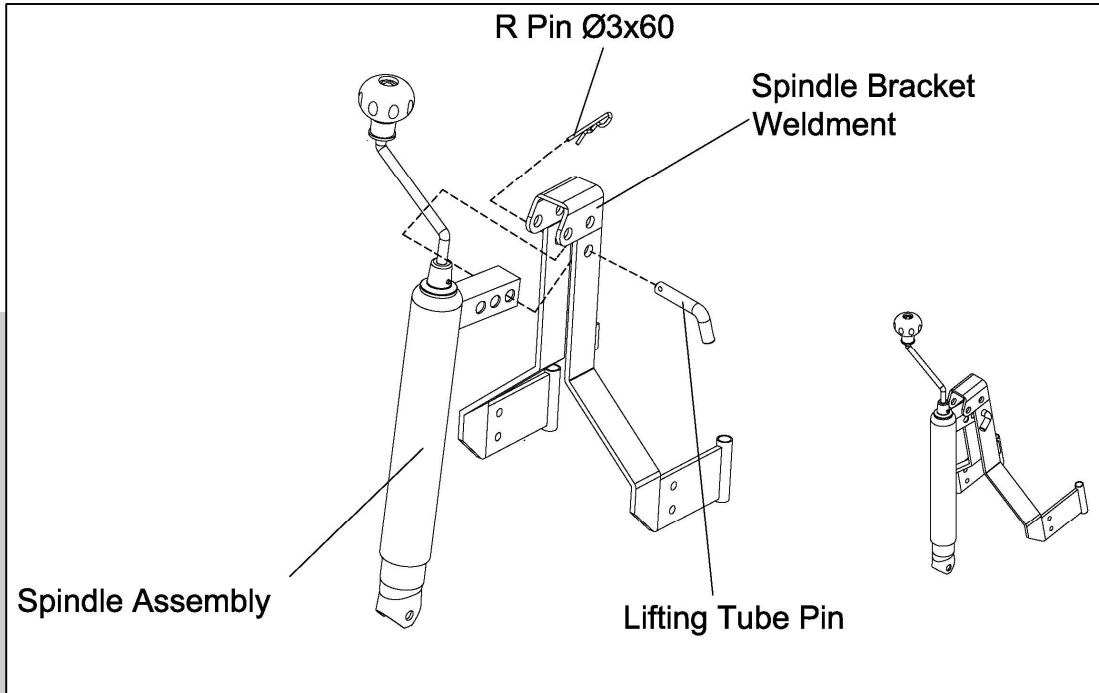
PLEASE SAVE THIS MANUAL

1. Remove and identify loose parts from carton and bag.

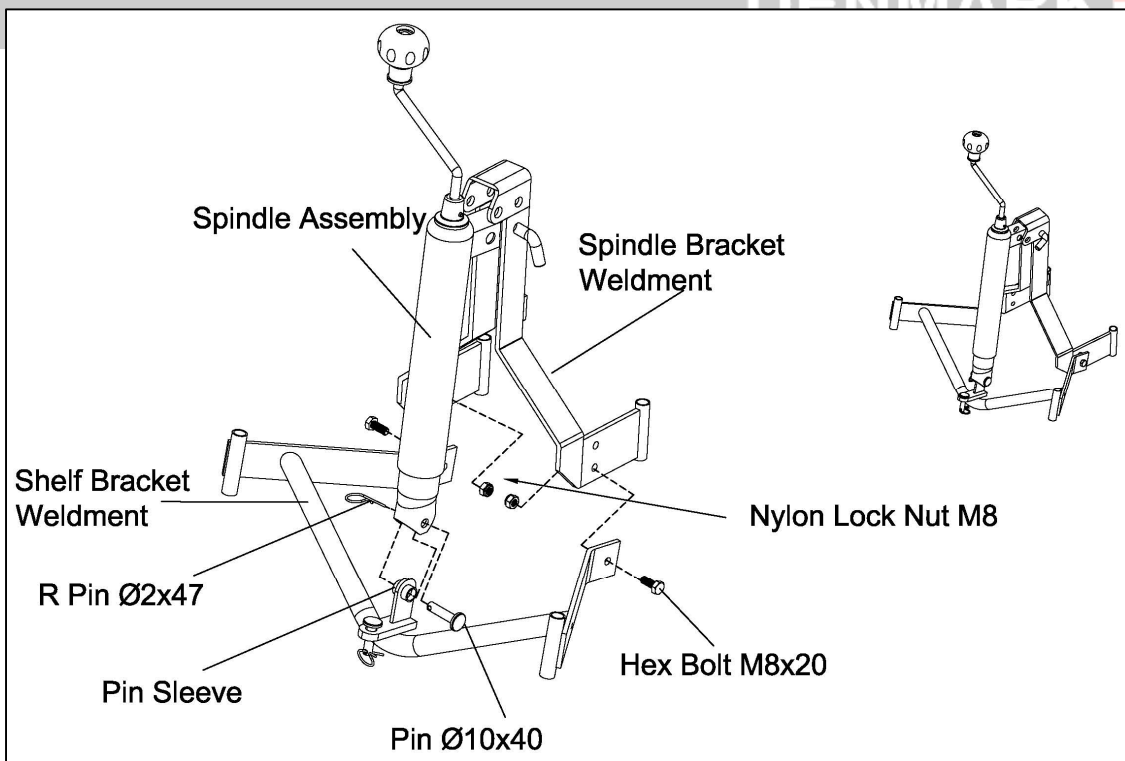


ASSEMBLY INSTRUCTION

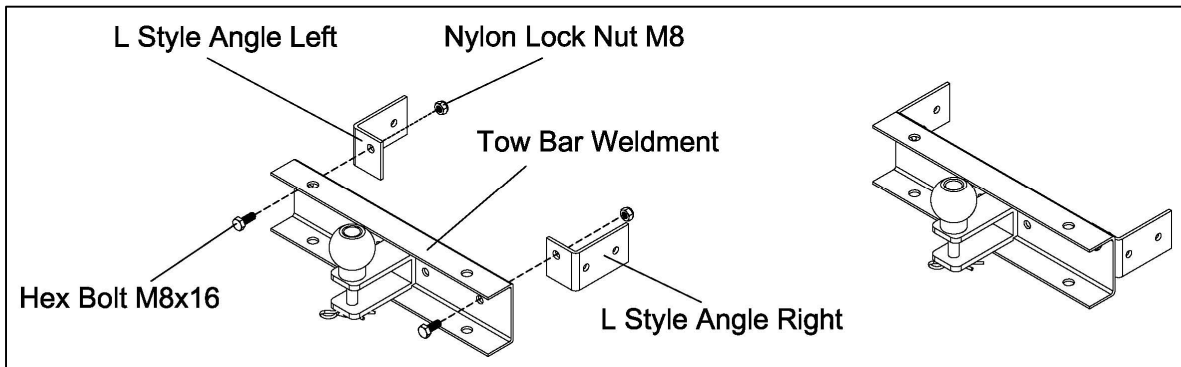
- Put Lifting Tube Pin through Spindle Bracket Weldment, Spindle Assembly, then fix the Lifting Tube Pin use R Pin $\text{\O}3 \times 60$.



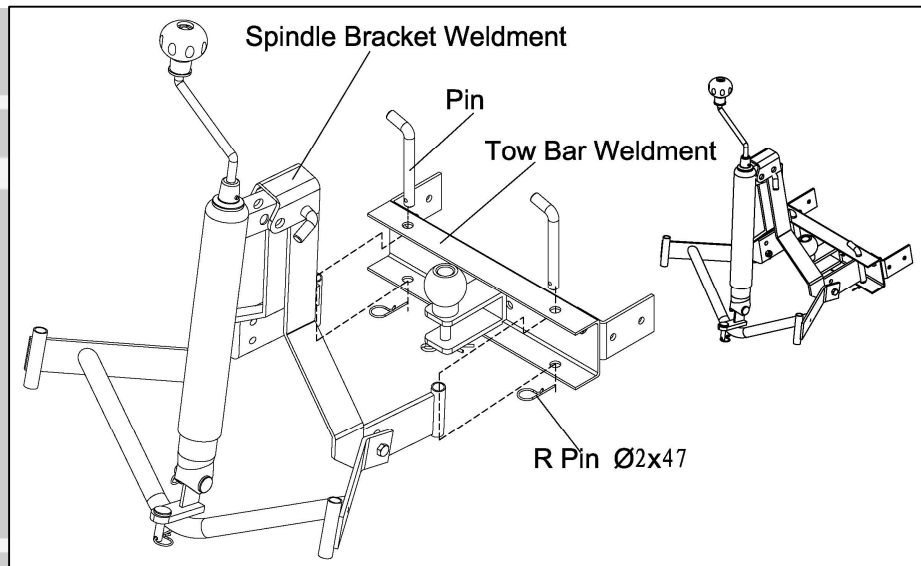
- Use Hex Bolt M8x20 and Nylon Lock Nut M8 to connect Shelf Bracket Weldment to Spindle Bracket Weldment.
 - Put the Pin Sleeve into the hole of Shelf Bracket Weldment, then connect to the Spindle Assembly use Pin $\text{\O}10 \times 40$ and R Pin $\text{\O}2 \times 47$. □



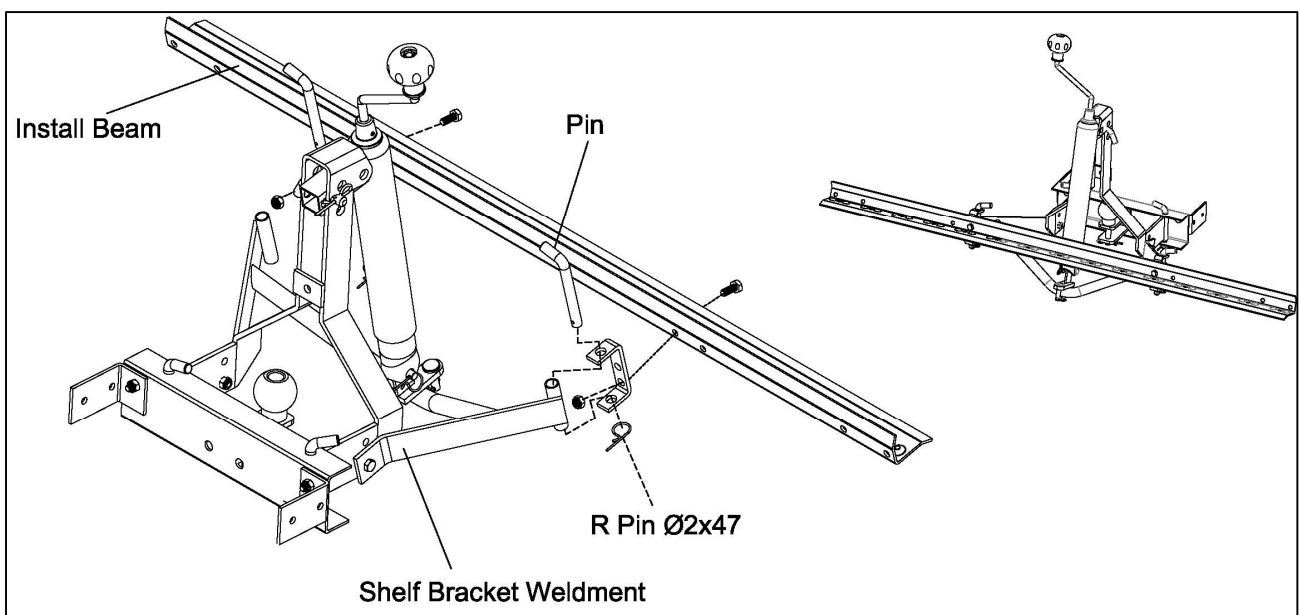
3. a. Fix the L Style Angle Left to the Tow Bar Weldment use Hex Bolt M8x16 and Nylon Lock Nut M8.
- b. Fix the L Style Angle Right as the same step above.



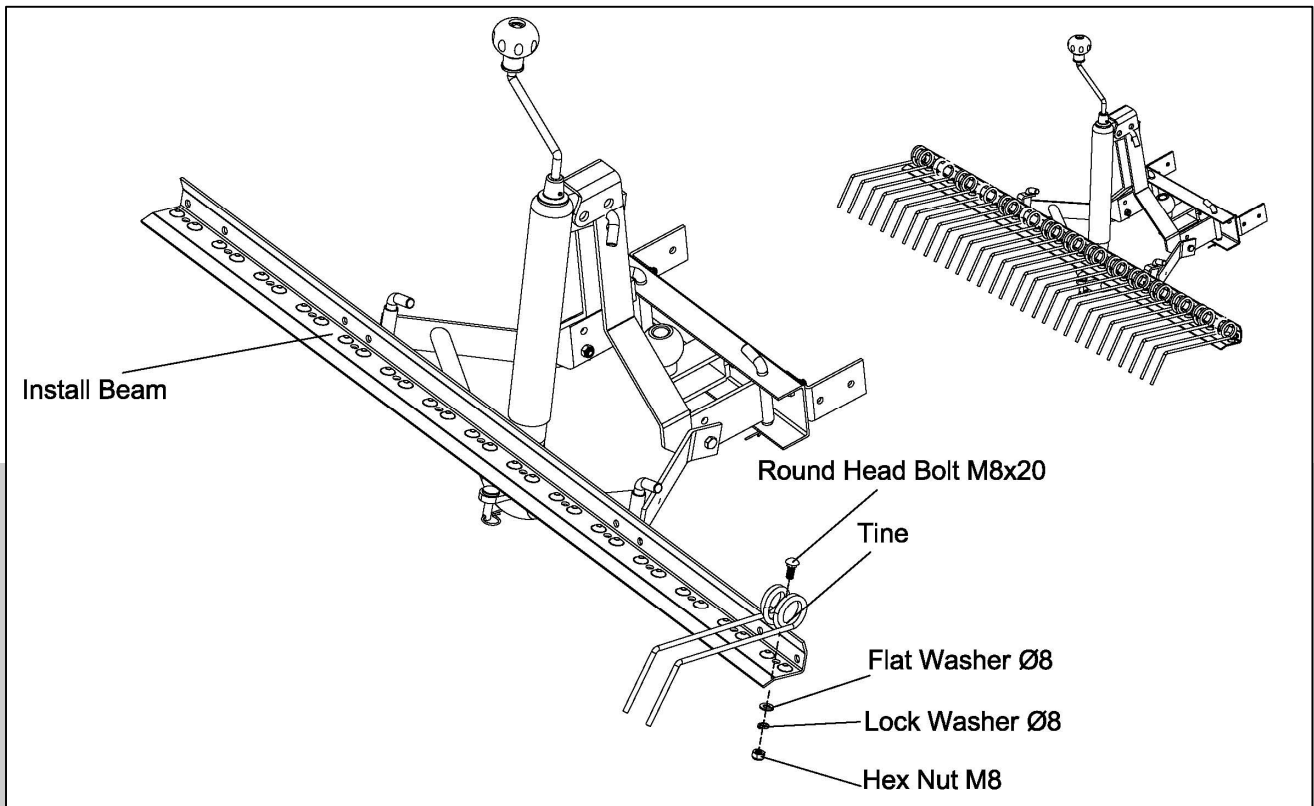
4. Connect the Tow Bar Weldment to the Spindle Bracket Weldment (#27) use Pin(#16) and R Pin Ø2x35 (#7).



5. a. Connect the Connect Plate to the Install Beam using Hex Bolt M8x16 and Nylon Lock Nut M8.
- b. Connect the Connect Plate to the Shelf Bracket Weldment use Pin and R Pin Ø2x47.



6. a. Connect the Tine to the Install Beam (4) use Round Head Bolt M8x20 and Flat Washer Ø8 ,Lock washer Ø8,Hex Nut M8.
- b. Connect other Tines to the Install Beam Assembly as the same step above.

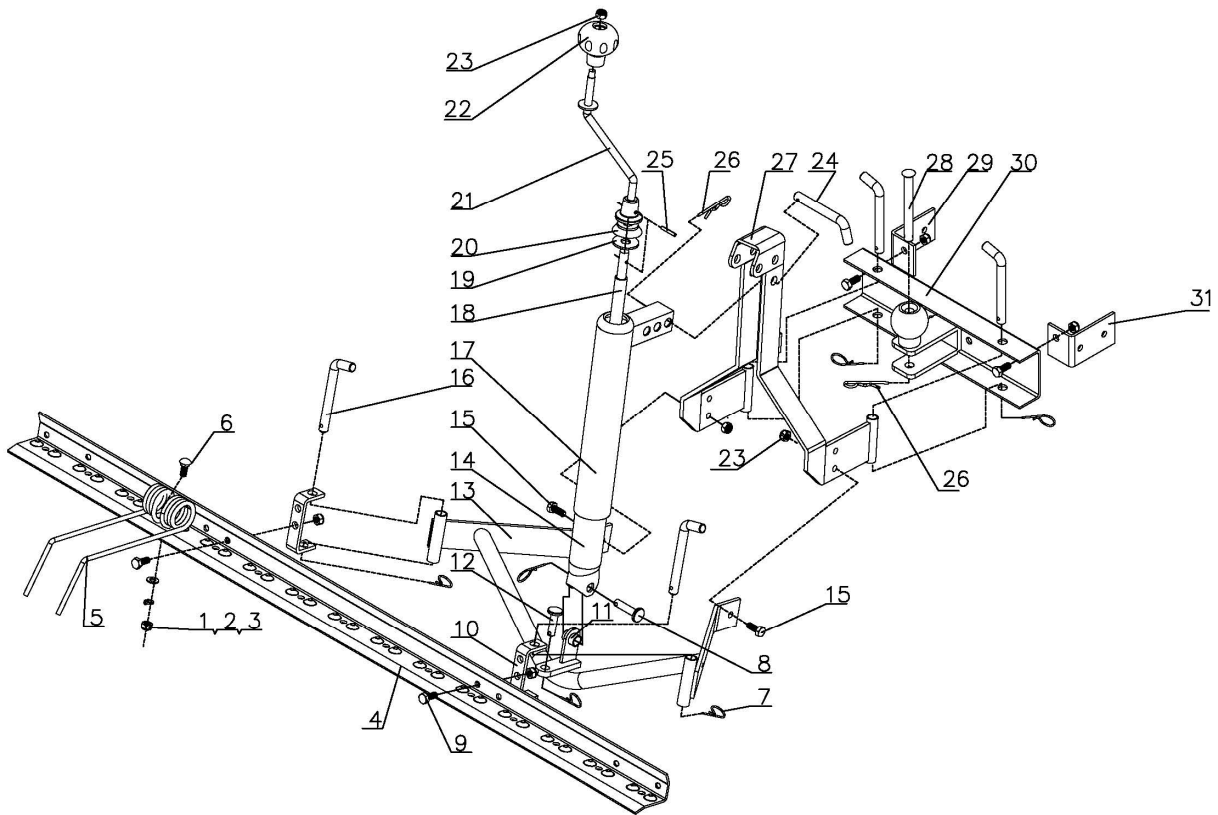


MAINTENANCE

DENMARK 

1. Before each use check all nuts and bolts for tightness.
2. If rust appears on the shield or spring tines, sand lightly and coat with enamel paint.
3. Always store in a dry area, and coat exposed metal with light oil when not in use.

DRAWING & PARTS LIST



| Part# | Description | Qty | Part# | Description | Qty |
|-------|------------------------|-----|-------|--------------------------|-----|
| 1 | Hex Nut M8 | 22 | 17 | Outer Spindle Assembly | 1 |
| 2 | Lock Washer Ø8 | 21 | 18 | Screw Rod | 1 |
| 3 | Flat Washer Ø8 | 21 | 19 | Big Flat Washer Ø12 | 1 |
| 4 | Install Beam | 1 | 20 | Nylon Washer | 1 |
| 5 | Tine | 21 | 21 | Rotation Handle | 1 |
| 6 | Round Head Bolt M8x20 | 17 | 22 | Hand Wheel | 1 |
| 7 | R Pin Ø2x47 | 6 | 23 | Nylon Lock Nut M8 | 17 |
| 8 | Pin 10x40 | 1 | 24 | Lifting Tube Pin | 1 |
| 9 | Hex Bolt M8x16 | 14 | 25 | Spring Pin | 1 |
| 10 | Connect Plate | 2 | 26 | R Pin Ø3x60 | 3 |
| 11 | Pin Sleeve | 1 | 27 | Spindle Bracket Weldment | 1 |
| 12 | Pin 10x35 | 1 | 28 | Hitch Pin | 1 |
| 13 | Shelf Bracket Assembly | 1 | 29 | L Style Angle Left | 1 |
| 14 | Inner Spindle Assembly | 1 | 30 | Tow Bar Weldment | 1 |
| 15 | Hex Bolt M8x20 | 2 | 31 | L Style Angle Right | 1 |
| 16 | Pin | 4 | | | |

TROLLASYSTEM:

[12060] TS - Yard rake w/spindle

[12072] [12079]

[12064]

[12076]

[12065]

[12066]

[12067]

[12068]

[12070]

[12061]

DO IT ELECTRIC

[12062]

[12086]

[12069]

[12023]

[12021]



OVERENSSTEMMELSESERKLÆRING CE
CERTIFICATE OF CONFORMITY CE
KONFORMITÄT SERKLÄRUNG CE



Overensstemmelseserklæring for EU-Importør
Certificate of conformity for EU-Importer
Konformitätserklärung für EU-Importeure

| | |
|--|--|
| F&H Com A/S (Brand name: Trolla) Gl. Kattrupvej 4 8751 Gedved Denmark | |
|--|--|

erklærer hermed at følgende produkt:
here with declares that the product:
erkläre hiermit, dass die folgende Produkt:

| | |
|--------------------------------------|-------------------|
| Product: Trolla System (rive) | Art: 12060 |
|--------------------------------------|-------------------|

er i overensstemmelse med bestemmelserne i følgende EF direktiv(er)
is in conformity with the provisions of the following EC directive(s)
steht im Einklang mit den Bestimmungen der EG-Richtlinie (n)

2006/42/EC

og produktet er i henhold til følgende standarder og/eller tekniske specifikationer:
and the product is according to following standards and/or technical specifications:
und das Produkt ist nach folgenden Normen und / oder technischen Spezifikationen:

**En14121 -1:2007, EN ISO 12100-1:2003A1:2009, EN ISO 12100-2:2003/A1:2009,
EN349:1993+A1:2008, EN 953:1997+A1:2009, EN 13857:2008**

Date: 05.01.2011

F&H COM
Ulrik Clausen
Managing Director
F&H Com A/S
Gl. Kattrupvej 4 8751 Gedved
Tlf. 76 27 37 44
CVR: 28 89 33 53

